

USER MANUAL

CS300 Pyranometer



Issued: 4.6.18

Copyright © 1994-2018 Campbell Scientific, Inc.
Printed under licence by Campbell Scientific Ltd.

Guarantee

This equipment is guaranteed against defects in materials and workmanship. We will repair or replace products which prove to be defective during the guarantee period as detailed on your invoice, provided they are returned to us prepaid. The guarantee will not apply to:

- Equipment which has been modified or altered in any way without the written permission of Campbell Scientific
- Batteries
- Any product which has been subjected to misuse, neglect, acts of God or damage in transit.

Campbell Scientific will return guaranteed equipment by surface carrier prepaid. Campbell Scientific will not reimburse the claimant for costs incurred in removing and/or reinstalling equipment. This guarantee and the Company's obligation thereunder is in lieu of all other guarantees, expressed or implied, including those of suitability and fitness for a particular purpose. Campbell Scientific is not liable for consequential damage.

Please inform us before returning equipment and obtain a Repair Reference Number whether the repair is under guarantee or not. Please state the faults as clearly as possible, and if the product is out of the guarantee period it should be accompanied by a purchase order. Quotations for repairs can be given on request. It is the policy of Campbell Scientific to protect the health of its employees and provide a safe working environment, in support of this policy a "Declaration of Hazardous Material and Decontamination" form will be issued for completion.

When returning equipment, the Repair Reference Number must be clearly marked on the outside of the package. Complete the "Declaration of Hazardous Material and Decontamination" form and ensure a completed copy is returned with your goods. Please note your Repair may not be processed if you do not include a copy of this form and Campbell Scientific Ltd reserves the right to return goods at the customers' expense.

Note that goods sent air freight are subject to Customs clearance fees which Campbell Scientific will charge to customers. In many cases, these charges are greater than the cost of the repair.



Campbell Scientific Ltd,
80 Hathern Road,
Shepshed, Loughborough, LE12 9GX, UK
Tel: +44 (0) 1509 601141
Fax: +44 (0) 1509 601091
Email: support@campbellsci.co.uk
www.campbellsci.co.uk

PLEASE READ FIRST

About this manual

Some useful conversion factors:

Area: 1 in² (square inch) = 645 mm²

Length: 1 in. (inch) = 25.4 mm
1 ft (foot) = 304.8 mm
1 yard = 0.914 m
1 mile = 1.609 km

Mass: 1 oz. (ounce) = 28.35 g
1 lb (pound weight) = 0.454 kg

Pressure: 1 psi (lb/in²) = 68.95 mb

Volume: 1 UK pint = 568.3 ml
1 UK gallon = 4.546 litres
1 US gallon = 3.785 litres

Recycling information



At the end of this product's life it should not be put in commercial or domestic refuse but sent for recycling. Any batteries contained within the product or used during the products life should be removed from the product and also be sent to an appropriate recycling facility.

Campbell Scientific Ltd can advise on the recycling of the equipment and in some cases arrange collection and the correct disposal of it, although charges may apply for some items or territories.

For further advice or support, please contact Campbell Scientific Ltd, or your local agent.



Campbell Scientific Ltd, Campbell Park, 80 Hathern Road, Shepshed, Loughborough, LE12 9GX, UK
Tel: +44 (0) 1509 601141 Fax: +44 (0) 1509 601091
Email: support@campbellsci.co.uk
www.campbellsci.co.uk

Precautions

DANGER — MANY HAZARDS ARE ASSOCIATED WITH INSTALLING, USING, MAINTAINING, AND WORKING ON OR AROUND **TRIPODS, TOWERS, AND ANY ATTACHMENTS TO TRIPODS AND TOWERS SUCH AS SENSORS, CROSSARMS, ENCLOSURES, ANTENNAS, ETC.** FAILURE TO PROPERLY AND COMPLETELY ASSEMBLE, INSTALL, OPERATE, USE, AND MAINTAIN TRIPODS, TOWERS, AND ATTACHMENTS, AND FAILURE TO HEED WARNINGS, INCREASES THE RISK OF DEATH, ACCIDENT, SERIOUS INJURY, PROPERTY DAMAGE, AND PRODUCT FAILURE. TAKE ALL REASONABLE PRECAUTIONS TO AVOID THESE HAZARDS. CHECK WITH YOUR ORGANIZATION'S SAFETY COORDINATOR (OR POLICY) FOR PROCEDURES AND REQUIRED PROTECTIVE EQUIPMENT PRIOR TO PERFORMING ANY WORK.

Use tripods, towers, and attachments to tripods and towers only for purposes for which they are designed. Do not exceed design limits. Be familiar and comply with all instructions provided in product manuals. Manuals are available at www.campbellsci.eu or by telephoning +44(0) 1509 828 888 (UK). You are responsible for conformance with governing codes and regulations, including safety regulations, and the integrity and location of structures or land to which towers, tripods, and any attachments are attached. Installation sites should be evaluated and approved by a qualified engineer. If questions or concerns arise regarding installation, use, or maintenance of tripods, towers, attachments, or electrical connections, consult with a licensed and qualified engineer or electrician.

General

- Prior to performing site or installation work, obtain required approvals and permits. Comply with all governing structure-height regulations, such as those of the FAA in the USA.
- Use only qualified personnel for installation, use, and maintenance of tripods and towers, and any attachments to tripods and towers. The use of licensed and qualified contractors is highly recommended.
- Read all applicable instructions carefully and understand procedures thoroughly before beginning work.
- Wear a **hardhat** and **eye protection**, and take **other appropriate safety precautions** while working on or around tripods and towers.
- **Do not climb** tripods or towers at any time, and prohibit climbing by other persons. Take reasonable precautions to secure tripod and tower sites from trespassers.
- Use only manufacturer recommended parts, materials, and tools.

Utility and Electrical

- **You can be killed** or sustain serious bodily injury if the tripod, tower, or attachments you are installing, constructing, using, or maintaining, or a tool, stake, or anchor, come in **contact with overhead or underground utility lines**.
- Maintain a distance of at least one-and-one-half times structure height, or 20 feet, or the distance required by applicable law, **whichever is greater**, between overhead utility lines and the structure (tripod, tower, attachments, or tools).
- Prior to performing site or installation work, inform all utility companies and have all underground utilities marked.
- Comply with all electrical codes. Electrical equipment and related grounding devices should be installed by a licensed and qualified electrician.

Elevated Work and Weather

- Exercise extreme caution when performing elevated work.
- Use appropriate equipment and safety practices.
- During installation and maintenance, keep tower and tripod sites clear of un-trained or non-essential personnel. Take precautions to prevent elevated tools and objects from dropping.
- Do not perform any work in inclement weather, including wind, rain, snow, lightning, etc.

Maintenance

- Periodically (at least yearly) check for wear and damage, including corrosion, stress cracks, frayed cables, loose cable clamps, cable tightness, etc. and take necessary corrective actions.
- Periodically (at least yearly) check electrical ground connections.

WHILE EVERY ATTEMPT IS MADE TO EMBODY THE HIGHEST DEGREE OF SAFETY IN ALL CAMPBELL SCIENTIFIC PRODUCTS, THE CUSTOMER ASSUMES ALL RISK FROM ANY INJURY RESULTING FROM IMPROPER INSTALLATION, USE, OR MAINTENANCE OF TRIPODS, TOWERS, OR ATTACHMENTS TO TRIPODS AND TOWERS SUCH AS SENSORS, CROSSARMS, ENCLOSURES, ANTENNAS, ETC.

Contents

PDF viewers: These page numbers refer to the printed version of this document. Use the PDF reader bookmarks tab for links to specific sections.

1. Introduction.....	1
2. Cautionary Statements.....	1
3. Initial Inspection	1
4. Quickstart.....	1
5. Overview.....	4
6. Specifications	4
7. Installation.....	5
7.1 Siting	5
7.2 Mounting to an Instrument Mount	6
7.2.1 Required Tools.....	6
7.2.2 Mounting Procedure.....	6
7.2.2.1 CM225E Solar Sensor Mounting Stand	6
7.3 Wiring to the Datalogger.....	8
7.4 Programming.....	9
7.4.1 Total Solar Radiation	10
8. Maintenance and Calibration	11
9. Troubleshooting	11
Appendices	
A. Importing Short Cut Code Into CRBasic or Edlog Editor	A-1
A.1 Importing <i>Short Cut</i> Code into a Program Editor	A-1
A.1.1 CRBasic Datalogger.....	A-1
A.1.2 Edlog.....	A-2
B. Example Programs	B-1
B.1 CR1000 Program	B-1
B.2 CR6 Program	B-2

Figure

7-1.	CS300 schematic.....	8
------	----------------------	---

Tables

7-1.	Connections to Campbell Scientific Dataloggers.....	9
7-2.	Multipliers Required for Average Flux and Total Flux Density in SI and English Units	10
B-1.	Wiring for Example Programs	B-1

CS300 Pyranometer

1. Introduction

The CS300, manufactured by Apogee Instruments, measures total sun and sky solar radiation for solar, agricultural, meteorological, and hydrological applications. Its spectral range of 360 to 1120 nanometers encompasses most of the shortwave radiation that reaches the Earth's surface. This pyranometer connects directly to our dataloggers. Its output can be measured by all of our dataloggers.

2. Cautionary Statements

- READ AND UNDERSTAND the *Precautions* section at the front of this manual.
- Care should be taken when opening the shipping package to not damage or cut the cable jacket. If damage to the cable is suspected, consult with a Campbell Scientific applications engineer.
- Remove the green cap after installing the sensor. Save this cap for shipping or storing the sensor.
- Handle the sensor carefully when cleaning. Be careful not to scratch the surface of the sensor.

3. Initial Inspection

- Upon receipt of the CS300, inspect the packaging and contents for damage. File damage claims with the shipping company.

4. Quickstart

Short Cut is an easy way to program your datalogger to measure the CS300 and assign datalogger wiring terminals. Use the following procedure to get started.

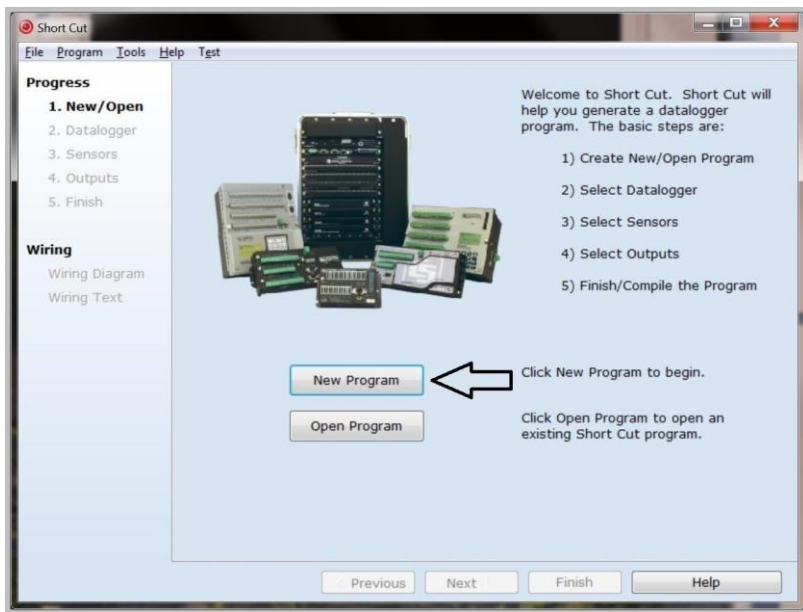
1. Install *Short Cut* by clicking on the install file icon. Get the install file from either www.campbellsci.com, the ResourceDVD, or find it in installations of *LoggerNet*, *PC200W*, *PC400*, or *RTDAQ* software.



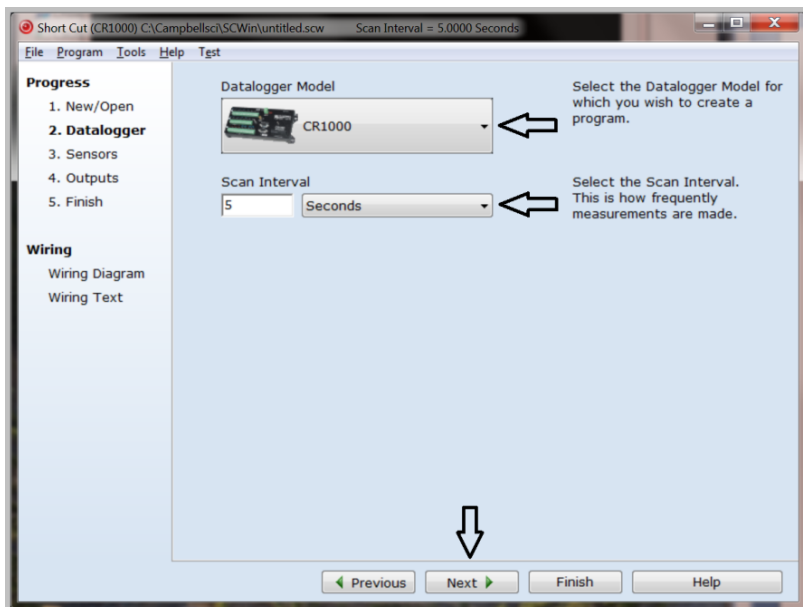
2. The *Short Cut* installation should place a *Short Cut* icon on the desktop of your computer. To open *Short Cut*, click on this icon.




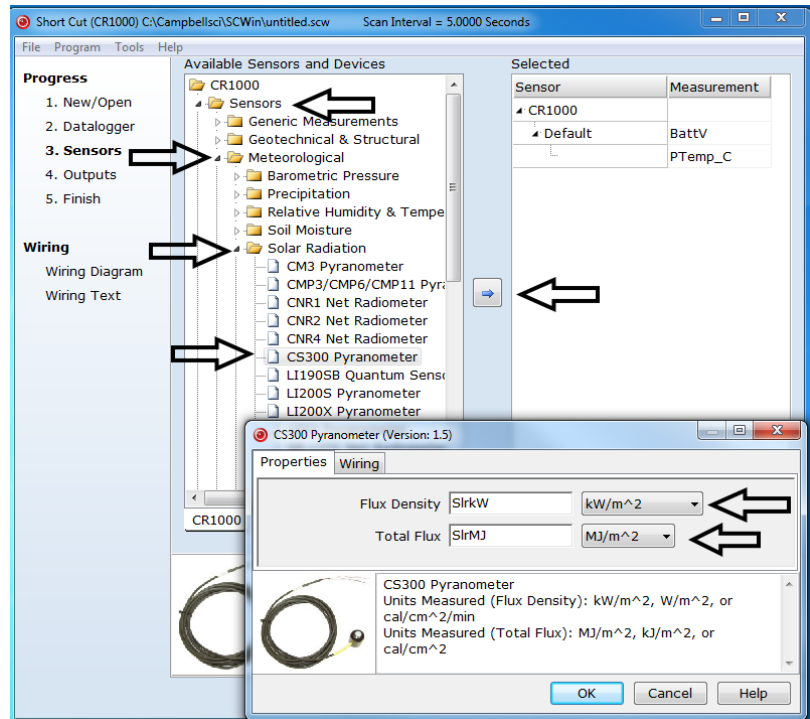
3. When *Short Cut* opens, select **New Program**.



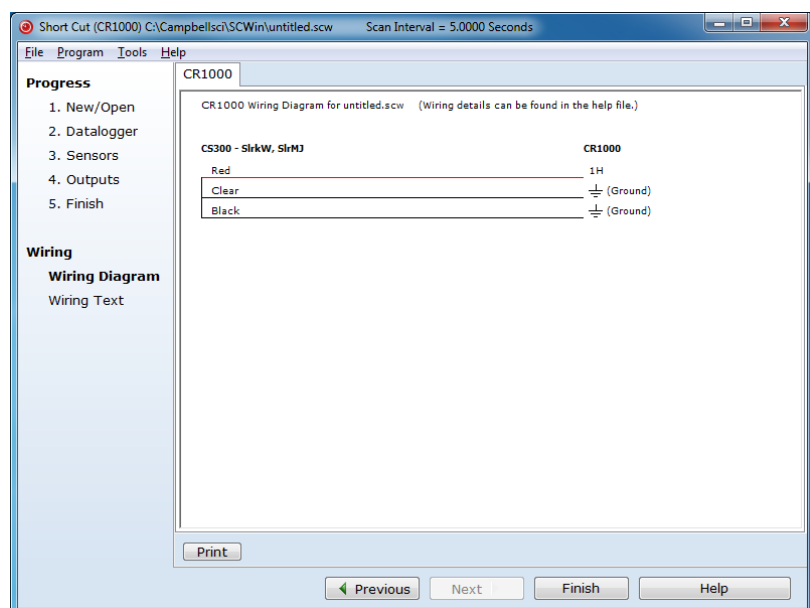
4. Select **Datalogger Model** and **Scan Interval** (default of 5 seconds is OK for most applications). Click **Next**.



- Under the **Available Sensors and Devices** list, select **Sensors** | **Meteorological** | **Solar Radiation** folder. Select **CS300 Pyranometer**. Click  to move the selection to the **Selected** device window. Default units are kW/m² for flux density units and mJ/ m² for total flux. These can be changed by clicking the **Flux Density** and **Total Flux** boxes and selecting different values.



- After selecting the sensor, click at the left of the screen on **Wiring Diagram** to see how the sensor is to be wired to the datalogger. The wiring diagram can be printed out now or after more sensors are added.



- Select any other sensors you have, then finish the remaining *Short Cut* steps to complete the program. The remaining steps are outlined in *Short Cut Help*, which is accessed by clicking on **Help** | **Contents** | **Programming Steps**.

8. If *LoggerNet*, *PC400*, *RTDAQ*, or *PC200W* is running on your PC, and the PC to datalogger connection is active, you can click Finish in *Short Cut* and you will be prompted to send the program just created to the datalogger.
9. If the sensor is connected to the datalogger, as shown in the wiring diagram in step 6, check the output of the sensor in the datalogger support software data display to make sure it is making reasonable measurements.

5. Overview

The CS300 measures incoming solar radiation with a silicon photovoltaic detector mounted in a cosine-corrected head. Output from the detector is a current, which is converted to voltage by a potentiometer potted in the sensor head. The resistance of the potentiometer is adjusted when the sensor is calibrated so that all sensors have the same output sensitivity.

The CS300 is calibrated against a Kipp and Zonen CM21 under natural sunlight to accurately measure sun plus sky radiation (360 to 1120 nm). The CS300 should not be used under vegetation or artificial lights.

During the night, the CS300 may read slightly negative incoming solar radiation. This negative signal is caused by RF noise passing through the photo-diode. Negative values may be set to zero in the datalogger program.

For more theoretical information on the silicon photovoltaic detector see Kerr, J. P., G. W. Thurtell, and C. B. Tanner: An integrating pyranometer for climatological observer stations and mesoscale networks. *J. Appl. Meteor.*, 6, 688-694.

6. Specifications

Features:

- Designed for continuous, long term, unattended operation in adverse conditions
- Dome-shaped head prevents water from accumulating on the sensor head
- Compatible with the CWS900-series interfaces, allowing it to be used in a wireless sensor network
- Compatible with Campbell Scientific CRBasic dataloggers: CR6, CR200(X) series, CR300 series, CR800 series, CR1000X, CR1000, CR3000, CR5000, and CR9000(X). Also compatible with Edlog dataloggers: CR500, CR510, CR10(X), CR23X, CR7, and 21X.

Power requirements:	none, self-powered
Sensitivity:	$5 \text{ W m}^{-2} \text{ mV}^{-1}$ ($0.2 \text{ mV W}^{-1} \text{ m}^{-2}$)
Absolute accuracy:	$\pm 5\%$ for daily total radiation
Cosine correction error:	$\pm 5\%$ at 75° zenith angle. $\pm 2\%$ at 45° zenith angle
Response time:	<1 ms
Temperature response:	<1% at 5 to 40°C
Long-term stability:	<2% per year
Operating temperature:	-40 to $+70^\circ\text{C}$
Relative humidity:	0 to 100%

Output:	0.2 mV per $W m^{-2}$
Diameter:	2.4 cm (0.9 in)
Height:	2.5 cm (1.0 in)
Weight:	65 g (2.3 oz) with 2 m lead wire
Measurement range:	0 to 2000 $W m^{-2}$ (full sunlight $\approx 1000 W m^{-2}$)
Light spectrum waveband:	360 to 1120 nm (wavelengths where response is 10% of maximum)

NOTE

The black outer jacket of the cable is Santoprene[®] rubber. This compound was chosen for its resistance to temperature extremes, moisture, and UV degradation. However, this jacket will support combustion in air. It is rated as slow burning when tested according to U.L. 94 H.B. and will pass FMVSS302. Local fire codes may preclude its use inside buildings.

7. Installation

If you are programming your datalogger with *Short Cut*, skip Section 7.3, *Wiring to the Datalogger*, and Section 7.4, *Programming*. *Short Cut* does this work for you. See Section 4, *Quickstart*, for a *Short Cut* tutorial.

7.1 Siting

The CS300 should be mounted such that no shadows or reflections are cast on it by the tripod/tower or other sensors. The sensor should be mounted with the cable pointing towards the nearest magnetic pole. For example, in the Northern Hemisphere, point the cable toward the North Pole.

Mounting height is not critical for the accuracy of the measurement. However, pyranometers mounted at heights of 3 m or less are easier to level and clean.

7.2 Mounting to an Instrument Mount

7.2.1 Required Tools

Tools required for installation on a tripod or tower:

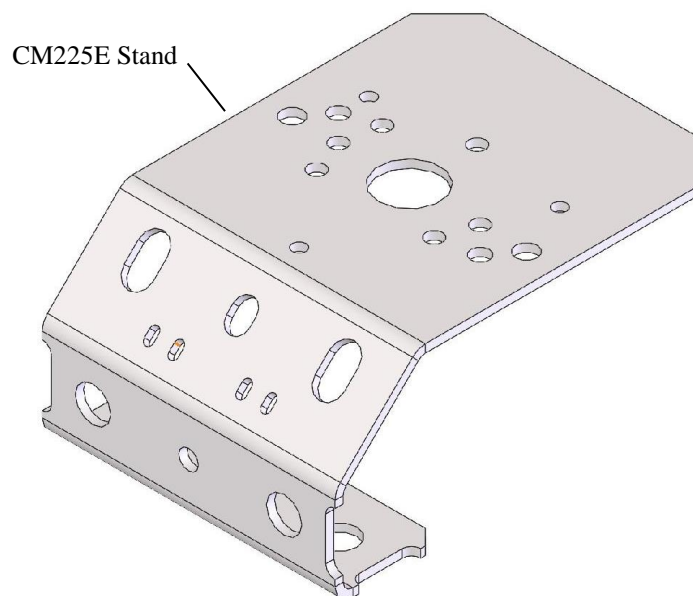
Small and medium Phillips screwdrivers
1/2 in open end wrench for CM225E
Tape measure
UV-resistant cable ties
Side-cut pliers
Compass
Step ladder

7.2.2 Mounting Procedure

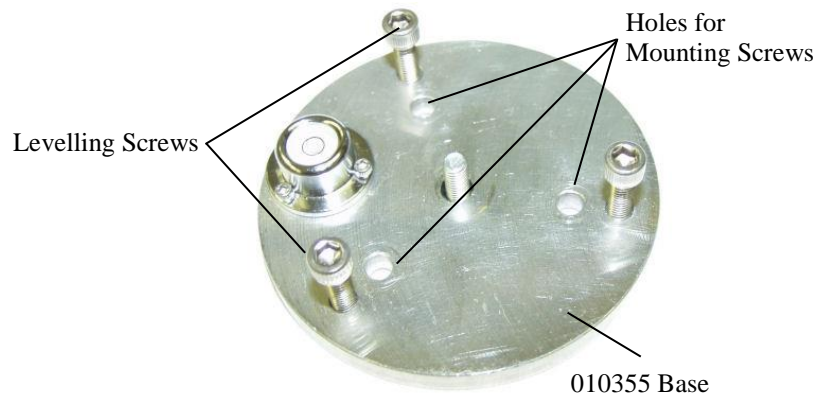
7.2.2.1 CM225E Solar Sensor Mounting Stand

CAUTIONThe CM225E should never be mounted directly to a vertical pipe. Instead the CM225E should be mounted to a crossarm. This avoids reflections from the vertical pipe onto the sensor.

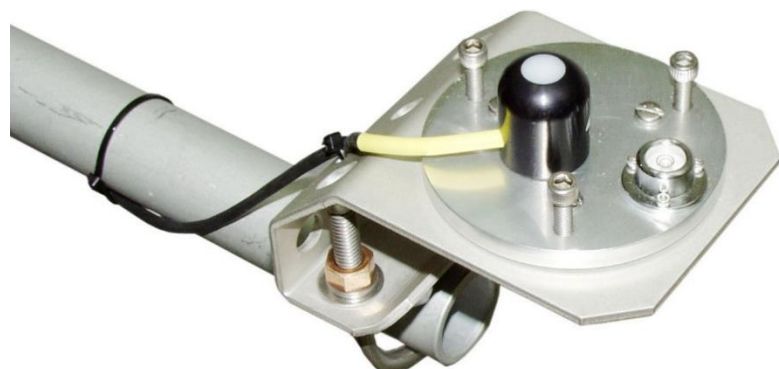
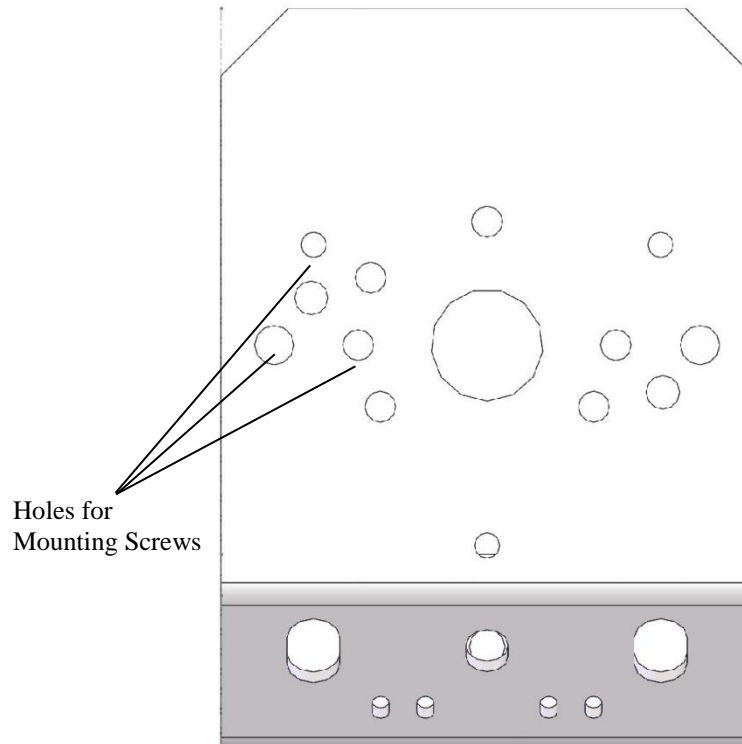
1. Mount the crossarm to the tripod or tower.
2. Place the CM225E's U-bolt in the bottom holes and secure the CM225E to the crossarm by tightening the U-bolt nuts.



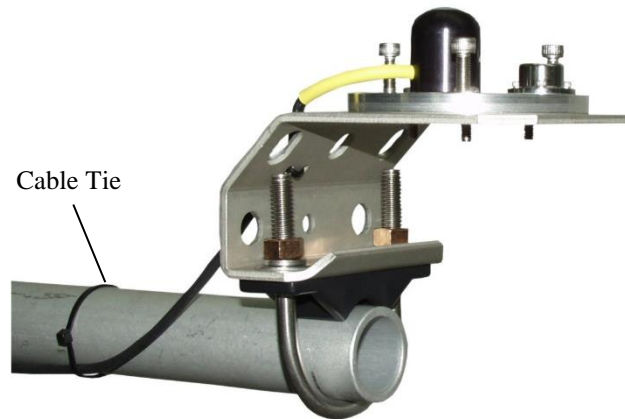
3. Place the CS300 in the centre of the 010355 base/levelling fixture.



4. Loosely mount the 010355 base/levelling fixture on the CM225E. Do not fully tighten the three mounting screws.



5. Turn the levelling screws as required to bring the bubble of the bubble level within the ring.
6. Tighten the mounting screws to secure the assembly in its final position. Check that the pyranometer is still correctly levelled and adjust as necessary.
7. Route the sensor cable along the underside of the crossarm to the tripod/tower, and to the instrument enclosure.
8. Secure the cable to the crossarm and mast using cable ties.



9. Remove the green cap after installing the sensor. Save this cap for shipping or storing the sensor.

7.3 Wiring to the Datalogger

A schematic diagram of the CS300 is shown in Figure 7-1.

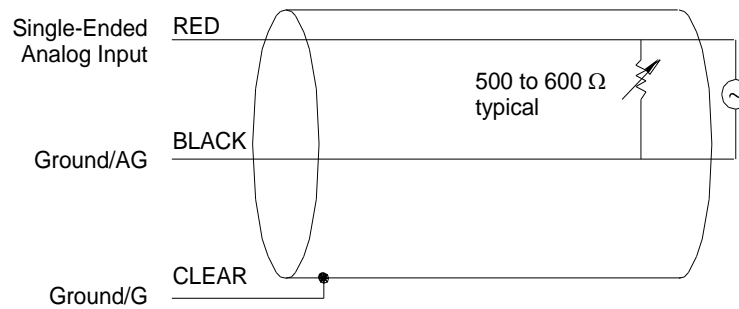


Figure 7-1. CS300 schematic

Connections to Campbell Scientific dataloggers are given in Table 7-1. When *Short Cut* is used to create the datalogger program, the sensor should be wired to the channels shown in the wiring diagram created by *Short Cut*.

Table 7-1. Connections to Campbell Scientific Dataloggers

Colour	Wire Label	CR6 CR9000(X) CR5000 CR3000 CR1000 CR1000X CR800 CR850	CR510 CR500 CR10(X)	21X CR7 CR23X	CR200(X)
Red	Signal	SE Analogue	SE Analogue	SE Analogue	SE Analogue
Black	Signal Reference	$\underline{\underline{\text{---}}}$	AG	$\underline{\underline{\text{---}}}$	$\underline{\underline{\text{---}}}$
Clear	Shield	$\underline{\underline{\text{---}}}$	G	$\underline{\underline{\text{---}}}$	$\underline{\underline{\text{---}}}$

7.4 Programming

Short Cut is the best source for up-to-date datalogger programming code. Programming code is needed,

- when creating a program for a new datalogger installation
- when adding sensors to an existing datalogger program

If your data acquisition requirements are simple, you can probably create and maintain a datalogger program exclusively with *Short Cut*. If your data acquisition needs are more complex, the files that *Short Cut* creates are a great source for programming code to start a new program or add to an existing custom program.

NOTE

Short Cut cannot edit programs after they are imported and edited in *CRBasic Editor*.

A *Short Cut* tutorial is available in Section 4, *Quickstart*. If you wish to import *Short Cut* code into either *Edlog* or *CRBasic Editor* to create or add to a customized program, follow the procedure in Appendix A, *Importing Short Cut Code Into CRBasic or Edlog Editor*. Programming basics for *CRBasic* and *Edlog* dataloggers are provided below. Complete program examples for select dataloggers can be found in Appendix B, *Example Programs*.

The output from the CS300 is 0.2 mV per W m^{-2} . The voltage signal from the CS300 is measured using the single-ended voltage instruction (**VoltSE** in *CRBasic* or **Volt (SE) (P1)** in *Edlog*). Dataloggers that use *CRBasic* include the CR200(X), CR800, CR850, CR1000, CR1000X, CR3000, CR5000, and CR9000(X). Dataloggers that use *Edlog* include CR7, CR10(X), CR510, and CR23X.

Solar radiation can be recorded as an average flux density (W m^{-2}) or daily total flux (MJ m^{-2}). The appropriate multipliers are listed in Table 7-2. Negative values should be set to zero before being processed.

Table 7-2. Multipliers Required for Average Flux and Total Flux Density in SI and English Units

UNITS	MULTIPLIER	PROCESS
W m ⁻²	5.0	Average
MJ m ⁻²	t • 0.000005	Total
kJ m ⁻²	t • 0.005	Total
cal cm ⁻² min ⁻¹	0.005 • (1.434)	Average
cal cm ⁻²	t • 0.005 • (0.0239)	Total

t = datalogger execution interval in seconds

Nearby AC power lines, electric pumps, or motors can be a source of electrical noise. If the sensor or datalogger is located in an electrically noisy environment, the measurement should be made with the 60 or 50 Hz rejection integration option as shown in the example programs.

7.4.1 Total Solar Radiation

If solar radiation is totalized in units of kJ m⁻², there is a possibility of over ranging the output limits. For CRBasic dataloggers, you can avoid this by using the IEEE4 or long data format. With the Edlog dataloggers the largest number that the datalogger can output to final storage is 6999 in low resolution (default), and 99999 in high resolution.

For Edlog dataloggers, if you assume that the daily total flux is desired in kJ m⁻² and assume an irradiance of 0.5 kW m⁻², the maximum low resolution output limit will be exceeded in just under four hours. This value was found by taking the maximum flux the datalogger can record in low resolution and dividing by the total hourly flux.

$$3.9 \text{ hr} = \frac{6999 \text{ kJ m}^{-2}}{(0.5 \text{ kJ m}^{-2} \text{ s}^{-1})(3600 \text{ s hr}^{-1})} \quad (1)$$

To circumvent this limitation for Edlog dataloggers, record an average flux. Then, during post processing, multiply the average flux by the number of seconds in the output interval to arrive at an output interval flux. Sum the output interval totals over a day to find a daily total flux.

Another alternative for Edlog dataloggers is to record total flux using the high resolution format. Instruction 78 is used to switch to the high resolution. The disadvantage of the high resolution format is that it takes more memory per data point.

8. Maintenance and Calibration

On a monthly basis the level of the pyranometer should be checked. Any dust or debris on the sensor head should be removed. The debris can be removed with a blast of compressed air or with a soft bristle, camel hair brush.

CAUTION Handle the sensor carefully when cleaning. Be careful not to scratch the surface of the sensor.

Recalibrate the CS300 every three years. Obtain an RMA number before returning the CS300 to Campbell Scientific, Inc. for recalibration.

9. Troubleshooting

Symptom: -9999 or radiation values around 0

1. Check that the sensor is wired to the single-ended channel specified by the measurement instruction.
2. Verify that the range code is correct for the datalogger type.
3. Disconnect the sensor leads from the datalogger and use a DVM to check the voltage between the red (+) and the black (-) wires. The voltage should be 0 to 200 mV for 0 to 1000 Wm^{-2} radiation. No voltage indicates a problem with either the photodiode or the shunt resistor, both of which are potted in the sensor head and cannot be serviced.

Symptom: Incorrect solar radiation

1. Make sure the top surface of the sensor head is clean, and that the sensor is properly levelled.
2. Verify that the range code, multiplier and offset parameters are correct for the desired engineering units and datalogger type.

NOTE Jumps of 3 to 6 Wm^{-2} are typical of CR200(X) measurements, due to the 0.6 mV CR200(X) resolution and the 0.2 mV/ Wm^{-2} CS300 sensitivity.

Appendix A. Importing Short Cut Code Into CRBasic or Edlog Editor

This tutorial shows:

- How to import a *Short Cut* program into a program editor for additional refinement
- How to import a wiring diagram from *Short Cut* into the comments of a custom program

A.1 Importing *Short Cut* Code into a Program Editor

Short Cut creates files that can be imported into either *CRBasic Editor* or *Edlog* program editor. These files normally reside in the C:\campbellsci\SCWin folder and have the following extensions:

- .DEF (wiring and memory usage information)
- .CR6 (CR6 datalogger code)
- .CR2 (CR200(X) datalogger code)
- .CR300 (CR300-series datalogger code)
- .CR1X (CR1000X datalogger code)
- .CR1 (CR1000 datalogger code)
- .CR8 (CR800 datalogger code)
- .CR3 (CR3000 datalogger code)
- .CR5 (CR5000 datalogger code)
- .CR9 (CR9000(X) datalogger code)
- .DLD (contain code for CR10(X), CR23X, CR500, CR510, 21X, or CR7(X) dataloggers)

The following procedures show how to import these files for editing.

A.1.1 CRBasic Datalogger

Use the following procedure to import *Short Cut* code into *CRBasic Editor* (CR200(X), CR1000, CR1000X, CR800, CR3000, CR5000 dataloggers).

1. Create the *Short Cut* program following the procedure in Section 4, *Quickstart*. Finish the program and exit *Short Cut*. Make note of the file name used when saving the *Short Cut* program.
2. Open *CRBasic Editor*.
3. Click **File | Open**. Assuming the default paths were used when *Short Cut* was installed, navigate to C:\CampbellSci\SCWin folder. The file of interest has a “.CR6”, “.CR2”, “.CR300”, “.CR1”, “.CR8”, “.CR3”, “.CR5”, or “.CR9” extension, for CR200(X), CR1000, CR1000X, CR800, CR3000, CR5000, or CR9000(X) dataloggers, respectively. Select the file and click **Open**.
4. Immediately save the file in a folder different from \Campbellsci\SCWin, or save the file with a different file name.

NOTE

Once the file is edited with *CRBasic Editor*, *Short Cut* can no longer be used to edit the datalogger program. Change the name of the program file or move it, or *Short Cut* may overwrite it next time it is used.

5. The program can now be edited, saved, and sent to the datalogger.
6. Import wiring information to the program by opening the associated .DEF file. Copy and paste the section beginning with heading “-Wiring for CRXXX-” into the CRBasic program, usually at the head of the file. After pasting, edit the information such that a ' character (single quotation mark) begins each line. This character instructs the datalogger compiler to ignore the line when compiling the datalogger code.

A.1.2 Edlog

Use the following procedure to import *Short Cut* code into the *Edlog* program editor (CR10(X), CR500, CR510, CR23X, CR7, or 21X dataloggers).

1. Create the *Short Cut* program following the procedure in Section 4, *Quickstart*. Finish the program and exit *Short Cut*. Make note of the file name used when saving the *Short Cut* program.
2. Open *Edlog*.
3. Click **File | Document DLD File**. Assuming the default paths were used when *Short Cut* was installed, navigate to C:\CampbellSci\SCWin folder. The file of interest has a “.DLD” extension. Select the file and click **Open**. The .dld file, which is a type of ASCII machine code, is imported, documented, and, when saved, given a “.CSI” extension.
4. Immediately save the file in a folder different from \Campbellsci\SCWin, or save the file with a different file name.

NOTE

Once the file is edited with *Edlog*, *Short Cut* can no longer be used to edit the program. Change the name of the program file or move it, or *Short Cut* may overwrite it.

5. The program can now be edited, saved, and sent to the datalogger.
6. Import wiring information to the program by opening the associated .DEF file. Copy and paste the section beginning with heading “-Wiring for CRXXX-” into the Edlog program, usually at the head of the file. After pasting, edit the information such that a ; (semicolon) begins each line, which instructs the datalogger compiler to ignore the line when compiling the datalogger code.

Appendix B. Example Programs

The following programs measure the CS300 every 10 s and convert the millivolt output to Wm^{-2} and MJm^{-2} . Both programs output an hourly average flux (Wm^{-2}), and a daily total flux density (MJm^{-2}). Negative values are set to zero before being processed. Wiring for the examples is given in Table B-1.

Colour	Description	CR1000	CR6
Red	Signal	SE 1	U1
Black	Signal Ground	$\underline{\underline{\text{---}}}$	$\underline{\underline{\text{---}}}$
Clear	Shield	$\underline{\underline{\text{---}}}$	$\underline{\underline{\text{---}}}$

B.1 CR1000 Program

```
'CR1000
'Declare Variables and Units
Public BattV
Public PTemp_C
Public SlrW
Public SlrMJ
Units BattV=Volts
Units PTemp_C=Deg C
Units SlrW=W/m2
Units SlrMJ=MJ/m2

'Define Data Tables
DataTable(Table1,True,-1)
  DataInterval(0,60,Min,10)
  Average(1,SlrW,FP2,False)
EndTable

DataTable(Table2,True,-1)
  DataInterval(0,1440,Min,10)
  Minimum(1,BattV,FP2,False,False)
  Totalize(1,SlrMJ,IEEE4,False)
EndTable

'Main Program
BeginProg
  Scan(10,Sec,1,0)
  'Default Datalogger Battery Voltage measurement 'BattV'
  Battery(BattV)

  'Default Wiring Panel Temperature measurement 'PTemp_C'
  PanelTemp(PTemp_C,60)

  'CS300 Pyranometer measurements 'SlrMJ' and 'SlrW'
  VoltSe(SlrW,1,mV250,1,1,0,_60Hz,1.0,0) 'Use 1000 mV range for the CR5000, CR9000

  'Set negative values to zero.
  If SlrW<0 Then SlrW=0

  'Convert mV to MJ/m2 for a 10 second scan rate
  SlrMJ=SlrW*0.00005

  'Convert mV to W/m2
  SlrW=SlrW*5.0

  'Call Data Tables and Store Data
  CallTable(Table1)
  CallTable(Table2)
NextScan
EndProg
```

B.2 CR6 Program

```

'CR6 Series
'Declare Variables and Units
Public BattV
Public PTemp_C
Public SlrW
Public SlrMJ
Units BattV=Volts
Units PTemp_C=Deg C
Units SlrW=W/m^2
Units SlrMJ=MJ/m^2

'Define Data Tables
DataTable(Table1,True,-1)
  DataInterval(0,60,Min,10)
  Average(1,SlrW,FP2,False)
EndTable

DataTable(Table2,True,-1)
  DataInterval(0,1440,Min,10)
  Minimum(1,BattV,FP2,False,False)
  Totalize(1,SlrMJ,IEEE4,False)
EndTable

'Main Program
BeginProg
  'Main Scan
  Scan(10,Sec,1,0)
  'Default Datalogger Battery Voltage measurement 'BattV'
  Battery(BattV)

  'Default Wiring Panel Temperature measurement 'PTemp_C'
  PanelTemp(PTemp_C,60)

  'CS300 Pyranometer measurements 'SlrMJ' and 'SlrW'
  VoltSe(SlrW,1,mV1000,U1,1,0,60,1,0)

  'Set negative values to zero.
  If SlrW<0 Then SlrW=0

  'Convert mV to MJ/m^2 for a 10 second scan rate
  SlrMJ=SlrW*5E-05

  'Convert mV to W/m^2
  SlrW=SlrW*5.0

  'Call Data Tables and Store Data
  CallTable Table1
  CallTable Table2
NextScan
EndProg

```


CAMPBELL SCIENTIFIC COMPANIES

Campbell Scientific, Inc. (CSI)

815 West 1800 North
Logan, Utah 84321
UNITED STATES

www.campbellsci.com • info@campbellsci.com

Campbell Scientific Centro Caribe S.A. (CSCC)

300N Cementerio, Edificio Breller
Santo Domingo, Heredia 40305
COSTA RICA

www.campbellsci.cc • info@campbellsci.cc

Campbell Scientific Africa Pty. Ltd. (CSAf)

PO Box 2450
Somerset West 7129
SOUTH AFRICA

www.csafrica.co.za • sales@csafrica.co.za

Campbell Scientific Ltd. (CSL)

80 Hathern Road, Shepshed, Loughborough LE12 9GX
UNITED KINGDOM

www.campbellsci.co.uk • sales@campbellsci.co.uk

Campbell Scientific Southeast Asia Co., Ltd.

877/22 Nirvana@Work, Rama 9 Road
Suan Luang Subdistrict, Suan Luang District
Bangkok 10250
THAILAND

www.campbellsci.asia • info@campbellsci.asia

Campbell Scientific Ltd. (France)

3 Avenue de la Division Leclerc
92160 ANTONY
FRANCE

www.campbellsci.fr • info@campbellsci.fr

Campbell Scientific Australia Pty. Ltd. (CSA)

PO Box 8108
Garbutt Post Shop
QLD 4814 AUSTRALIA

www.campbellsci.com.au • info@campbellsci.com.au

Campbell Scientific Spain, S. L.

Avda. Pompeu Fabra 7-9
Local 1 - 08024 BARCELONA
SPAIN

www.campbellsci.es • info@campbellsci.es

Campbell Scientific do Brazil Ltda. (CSB)

Rua Apinagés, nbr. 2018 - Perdizes
CEP: 01258-00 São Paulo SP BRAZIL

www.campbellsci.com.br •
vendas@campbellsci.com.br

Campbell Scientific Ltd. (Germany)

Fahrenheitstrasse13, D-28359 Bremen
GERMANY

www.campbellsci.de • info@campbellsci.de

Campbell Scientific Canada Corp. (CSC)

14532 – 131 Avenue NW
Edmonton, Alberta T5L 4X4
CANADA

www.campbellsci.ca • dataloggers@campbellsci.ca

Campbell Scientific (Beijing) Co., Ltd.

8B16, Floor 8 Tower B, Hanwei Plaza
7 Guanghua Road, Chaoyang, Beijing 100004
P.R. CHINA

www.campbellsci.com • info@campbellsci.com.cn